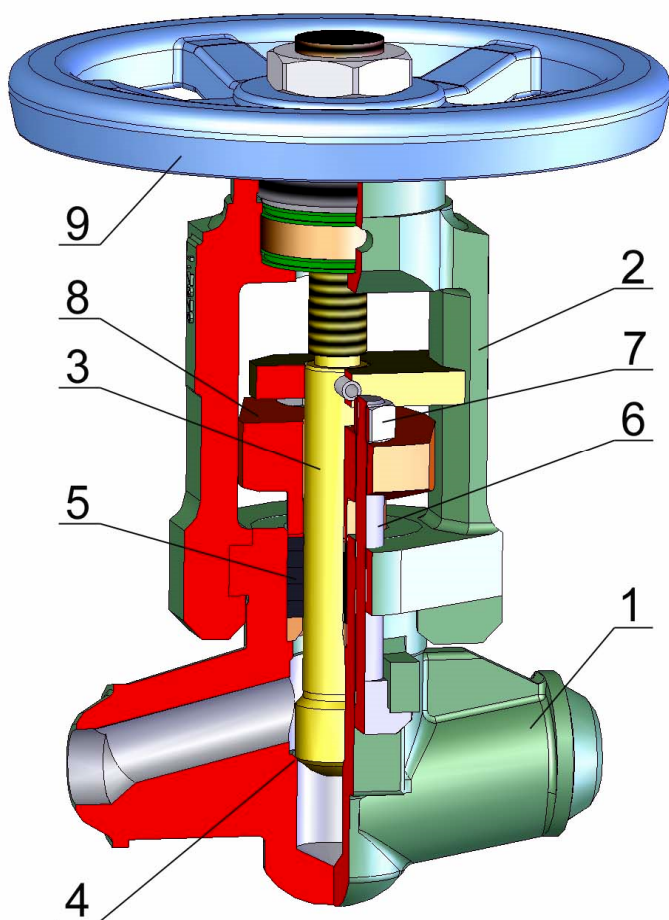


HIGH PRESSURE GLOBE VALVE

PN 160 – PN 630



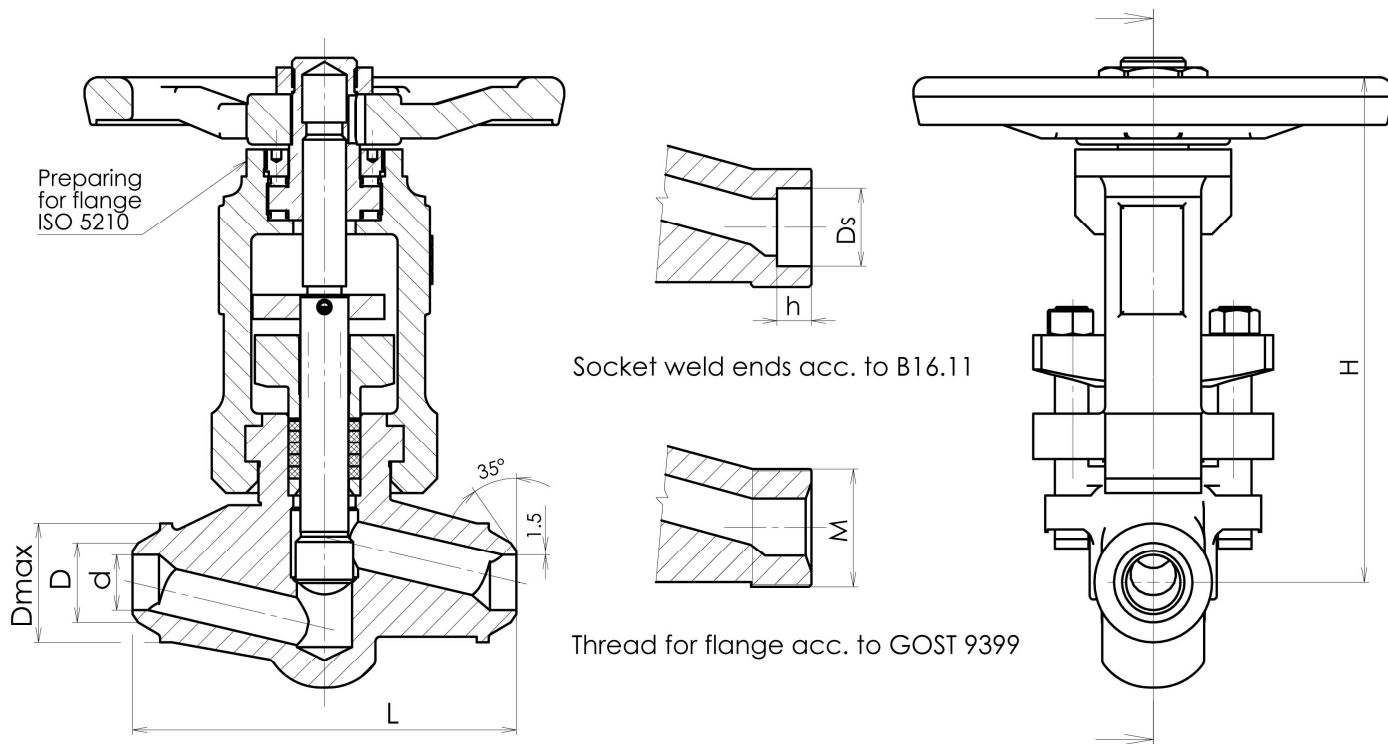
| | |
|-------------------------|---------------------|
| TYPE | CHV46.2 |
| Nominal pressure | PN 160 – 630 |
| Nominal size | DN 10 – 50 |

Compact design
Forged steel body
Hard facing disc and seat
Variable connection
Bearing stem nut for easy operation
Self-service gland on request

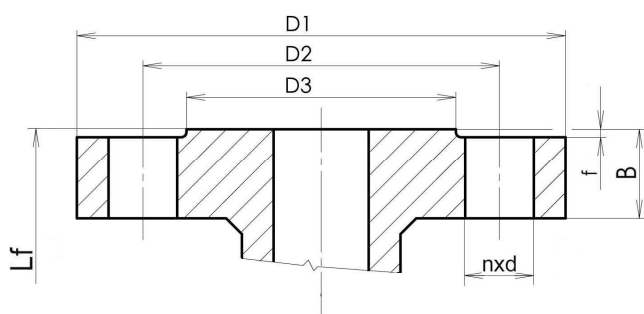
| | |
|----------------------|------------------------|
| Flanges | EN 1092-1 GOST 9399 |
| Socketed end | EN 12760 |
| Welding end | EN 12627 |
| Face-to-face | BY MFR |
| Testing | EN 12266-1 |
| Pressure/Temperature | EN 12516-1 |

| Operation | |
|-----------|--------------------|
| 1 | Hand wheel |
| 3 | Electric actuator |
| 4 | Pneumatic actuator |

| Pos. | Part | Material | | | | |
|---|----------------|--------------------------|------------------------------------|---------------------------------------|------------------------------------|------------------------------------|
| | | -29 ÷ +450 °C | -20 ÷ +530 °C | -20 ÷ +580 °C | -20 ÷ +620 °C | -70 ÷ +550 °C |
| | | Carbon steel | Alloy steel | | Spec. alloy steel P91 | Stainless steel |
| | | EN (Wnr.) | EN (Wnr.) | EN (Wnr.) | EN (Wnr.) | EN (Wnr.) |
| 1 | Body | P250GH (1.0460) | 16Mo3 (1.5415) | 14MoV6-3,13CrMo4-5 (1.7715,1.7335) | X10CrMoVNb9-1(1.4903) | X6CrNiTi18-10 (1.4571) |
| 2 | Yoke | G17CrMo9-10 (1.7379) | G17CrMo9-10 (1.7379) | G17CrMo9-10 (1.7379) | G17CrMo9-10 (1.7379) | G17CrMo9-10 (1.7379) |
| 3 | Disc | X20Cr13 (1.4021) | X22CrMoV12-1(1.4923) + Stellite | X22CrMoV12-1(1.4923) + Stellite | X22CrMoV12-1(1.4923) + Stellite | X22CrMoV12-1(1.4923) + Stellite |
| 4 | Seat | weld-on 13 Cr / Stellite | weld-on Stellite | weld-on Stellite | weld-on Stellite | weld-on Stellite |
| 5 | Packing | Graphite+wire SS | Graphite+wire SS | Graphite+wire SS | Graphite+wire SS | Graphite+wire SS |
| 6 | T-Bolt | 42CrMo4 (1.7225) | 42CrMo4 (1.7225) | 42CrMo4 (1.7225) | 42CrMo4 (1.7225) | 42CrMo4 (1.7225) |
| 7 | Nut | 42CrMo4 (1.7225) | 42CrMo4 (1.7225) | 42CrMo4 (1.7225) | 42CrMo4 (1.7225) | 42CrMo4 (1.7225) |
| 8 | Packing flange | G17CrMo5-5 (1.7357) | G17CrMo5-5 (1.7357) | G17CrMo5-5 (1.7357) | G17CrMo5-5 (1.7357) | G17CrMo5-5 (1.7357) |
| 9 | Hand wheel | Carbon steel | Carbon steel | Carbon steel | Carbon steel | Carbon steel |
| Other material specification upon request | | | | | | |



| DN | 10 | 15 | 20 | 25 | 32 | 40 | 50 |
|-----------------------------|---|--------------|--------------|--------------|--------------|--------------|--------------|
| D (PN) | 22 (160-320) | 22 (160-320) | 28 (160-320) | 34 (160-320) | 44 (160-320) | 49 (160-320) | 61 (160-250) |
| d | According to pipe dimensions (EN 12627, EN 12760) | | | | | | |
| Dmax | 34 | 34 | 49 | 49 | 83 | 83 | 83 |
| Ds | 21,7 | 21,7 | 27,1 | 33,8 | 42,5 | 48,7 | 61,1 |
| h | 9,5 | 9,5 | 12,7 | 12,7 | 12,7 | 12,7 | 15,9 |
| M | M33x2 | M33x2 | M42x2 | M42x2 | M48x2 | M64x3 | M80x3 |
| H | 210 | 210 | 220 | 220 | 300 | 300 | 300 |
| Handwheel | 160 | 160 | 200 | 200 | 250 | 250 | 250 |
| Travel | 14 | 14 | 18 | 18 | 24 | 24 | 24 |
| L | 150 | 150 | 160 | 160 | 250 | 250 | 250 |
| M (Kg) | 4,5 | 4,3 | 8,9 | 8,8 | 18,9 | 18,1 | 18,1 |
| Other dimensions on request | | | | | | | |



| PN 160 | | | | | | |
|--------|-----|-----|-----|------|------|-----|
| DN | D1 | D2 | D3 | Bxf | nxd | Lf |
| 15 | 105 | 75 | 45 | 20x2 | 4x14 | 230 |
| 25 | 140 | 100 | 68 | 24x2 | 4x18 | 260 |
| 40 | 170 | 125 | 88 | 28x3 | 4x22 | 300 |
| 50 | 195 | 145 | 102 | 30x3 | 4x26 | 350 |

| PN 250 | | | | | | |
|--------|-----|-----|-----|------|------|-----|
| DN | D1 | D2 | D3 | Bxf | nxd | Lf |
| 15 | 130 | 90 | 45 | 26x2 | 4x18 | 230 |
| 25 | 150 | 105 | 68 | 28x2 | 4x22 | 260 |
| 40 | 185 | 135 | 88 | 34x3 | 4x26 | 300 |
| 50 | 200 | 150 | 102 | 38x3 | 8x26 | 350 |

| PN 320 | | | | | | |
|--------|-----|-----|-----|------|------|-----|
| DN | D1 | D2 | D3 | Bxf | nxd | Lf |
| 15 | 130 | 90 | 45 | 26x2 | 4x18 | 230 |
| 25 | 160 | 115 | 68 | 34x2 | 4x22 | 260 |
| 40 | 195 | 145 | 88 | 38x3 | 4x26 | 300 |
| 50 | 210 | 160 | 102 | 42x3 | 8x26 | 350 |

Pressure – temperature ratings

| Material | Maximum working pressure (bar) | | | | | | | | | |
|-------------------|--------------------------------|-----|-----|-----|-----|------|------|------|-----|--|
| | PN\T(°C) | 250 | 280 | 300 | 350 | 380 | 400 | 430 | 450 | |
| P250GH/ 1.0460 | 160 | 138 | 131 | 121 | 104 | 91,3 | 83,9 | 72,9 | 69 | |
| | 250 | 172 | 163 | 147 | 137 | 128 | 123 | 102 | 87 | |
| | 320 | 286 | 280 | 273 | 237 | 213 | 182 | 151 | 133 | |
| | 400 | 360 | 380 | 320 | 250 | 250 | 225 | 205 | 186 | |
| | 500 | 460 | 430 | 380 | 290 | 270 | 250 | 235 | 195 | |

| Material | Maximum working pressure (bar) | | | | | | | | | |
|------------------|--------------------------------|-----|-----|-----|-----|-----|-----|------|------|------|
| | PN\T(°C) | 250 | 300 | 350 | 400 | 450 | 470 | 490 | 500 | 530 |
| 16Mo3/ 1.5415 | 160 | 160 | 142 | 133 | 125 | 120 | 118 | 97,5 | 77,7 | 39,3 |
| | 250 | 250 | 250 | 236 | 222 | 215 | 211 | 162 | 129 | 65,2 |
| | 320 | 320 | 320 | 318 | 298 | 288 | 283 | 218 | 179 | 86 |
| | 400 | 400 | 400 | 385 | 360 | 336 | 320 | 280 | 232 | 103 |
| | 500 | 500 | 500 | 480 | 450 | 420 | 400 | 350 | 290 | 110 |
| | 630 | 630 | 530 | 490 | 460 | 410 | 400 | 350 | 320 | 135 |

| Material | Maximum working pressure (bar) | | | | | | | | | | | | | | |
|---------------------|--------------------------------|-----|-----|-----|-----|-----|-----|-----|-----|-----|-----|-----|-----|-----|-----|
| | PN\T(°C) | 250 | 300 | 350 | 400 | 450 | 470 | 490 | 510 | 530 | 540 | 550 | 560 | 570 | 580 |
| 14MoV6-3/ 1.7715 | 160 | 143 | 128 | 102 | 102 | 102 | 102 | 102 | 102 | 102 | 102 | 102 | 80 | 80 | 80 |
| | 250 | 224 | 200 | 160 | 160 | 160 | 160 | 160 | 160 | 160 | 160 | 160 | 125 | 125 | 125 |
| | 320 | 287 | 256 | 205 | 205 | 205 | 205 | 205 | 205 | 205 | 205 | 205 | 205 | 160 | 160 |
| | 400 | 358 | 320 | 256 | 256 | 256 | 256 | 256 | 256 | 256 | 256 | 256 | 256 | 200 | 200 |
| | 500 | 450 | 400 | 320 | 320 | 320 | 320 | 320 | 320 | 320 | 320 | 320 | 320 | 250 | 250 |
| | 630 | 550 | 490 | 440 | 440 | 440 | 440 | 440 | 440 | 440 | 440 | 390 | 390 | 360 | 360 |

| Material | Maximum working pressure (bar) | | | | | | | | | | | | | | |
|----------------------|--------------------------------|-----|-----|-----|-----|-----|-----|-----|-----|-----|-----|------|------|------|--|
| | PN\T(°C) | 250 | 300 | 350 | 400 | 450 | 470 | 490 | 500 | 510 | 520 | 530 | 540 | 550 | |
| 13CrMo4-5/ 1.7335 | 160 | 160 | 152 | 150 | 148 | 144 | 140 | 133 | 128 | 102 | 83 | 68,8 | 53,8 | 43,2 | |
| | 250 | 250 | 237 | 233 | 228 | 225 | 220 | 208 | 200 | 160 | 130 | 108 | 84 | 67,5 | |
| | 320 | 320 | 314 | 298 | 392 | 288 | 281 | 266 | 256 | 205 | 166 | 138 | 108 | 86,4 | |
| | 400 | 400 | 392 | 373 | 365 | 360 | 351 | 332 | 320 | 256 | 208 | 172 | 134 | 108 | |
| | 500 | 500 | 500 | 480 | 460 | 450 | 439 | 415 | 400 | 320 | 260 | 215 | 168 | 135 | |
| | 630 | 630 | 630 | 590 | 570 | 553 | 530 | 512 | 480 | 452 | 380 | 335 | 240 | 195 | |

| Material | Maximum working pressure (bar) | | | | | | | | | | | | | | |
|----------------|--------------------------------|-----|-----|-----|-----|-----|-----|-----|-----|-----|-----|-----|-----|-----|-----|
| | PNT(°C) | 450 | 470 | 490 | 510 | 530 | 540 | 550 | 560 | 570 | 580 | 590 | 600 | 610 | 620 |
| P91/ 1.4903 | 160 | 150 | 150 | 132 | 132 | 132 | 102 | 102 | 102 | 102 | 80 | 80 | 80 | 64 | 58 |
| | 250 | 245 | 245 | 190 | 190 | 190 | 160 | 160 | 160 | 160 | 125 | 125 | 125 | 98 | 65 |
| | 320 | 314 | 314 | 280 | 280 | 280 | 205 | 205 | 205 | 205 | 205 | 160 | 160 | 135 | 110 |
| | 400 | 380 | 380 | 350 | 350 | 350 | 256 | 256 | 256 | 256 | 200 | 200 | 200 | 150 | 132 |
| | 500 | 470 | 470 | 425 | 425 | 425 | 380 | 360 | 320 | 320 | 250 | 250 | 250 | 230 | 195 |
| | 630 | 580 | 580 | 530 | 530 | 530 | 496 | 430 | 390 | 390 | 360 | 360 | 340 | 280 | 223 |

| Material | Maximum working pressure (bar) | | | | | | | | | | | | | | |
|--------------------------|--------------------------------|-----|-----|-----|-----|-----|-----|-----|-----|-----|-----|-----|-----|-----|--|
| | PNT(°C) | 250 | 300 | 350 | 400 | 450 | 470 | 490 | 500 | 510 | 520 | 530 | 540 | 550 | |
| X6CrNiTi18-10/ 1.4571 | 160 | 135 | 126 | 121 | 116 | 113 | 127 | 118 | 110 | 108 | 105 | 102 | 100 | 96 | |
| | 250 | 215 | 197 | 189 | 181 | 177 | 175 | 170 | 166 | 164 | 160 | 158 | 154 | 152 | |
| | 320 | 270 | 252 | 242 | 232 | 225 | 220 | 218 | 210 | 205 | 203 | 200 | 198 | 195 | |
| | 400 | 338 | 316 | 302 | 289 | 285 | 280 | 273 | 266 | 261 | 258 | 253 | 249 | 243 | |

Control valve CHV40 – design with regulating disc

