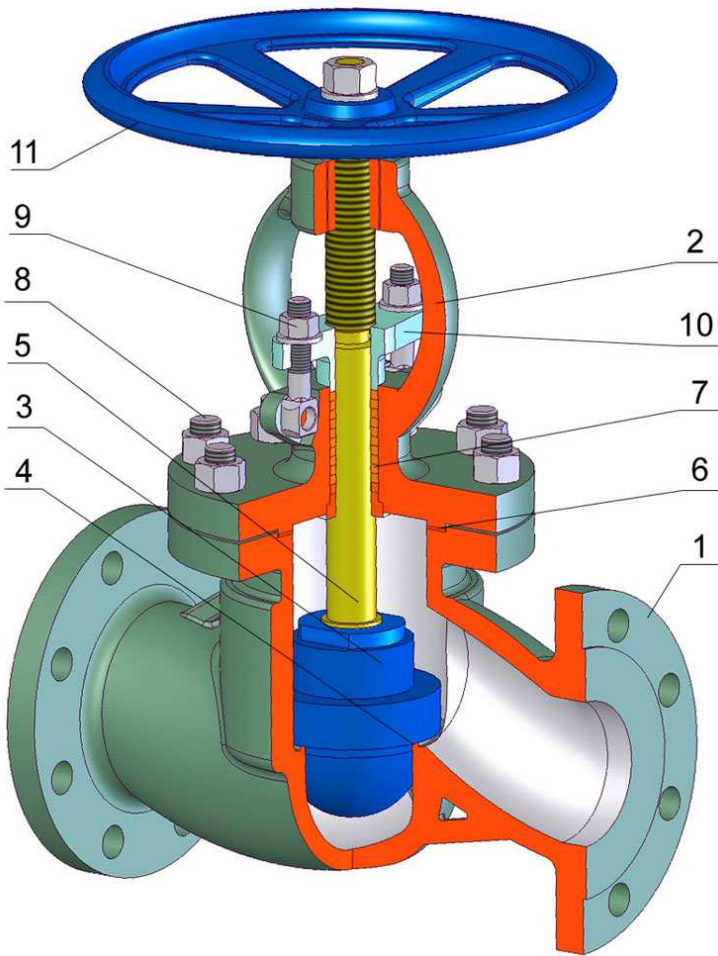


# GLOBE VALVE WITH FLOW CONTROL

## PN40



TYPE	CHV40
Nominal pressure/	PN 40
Nominal size/	DN 15 – 200

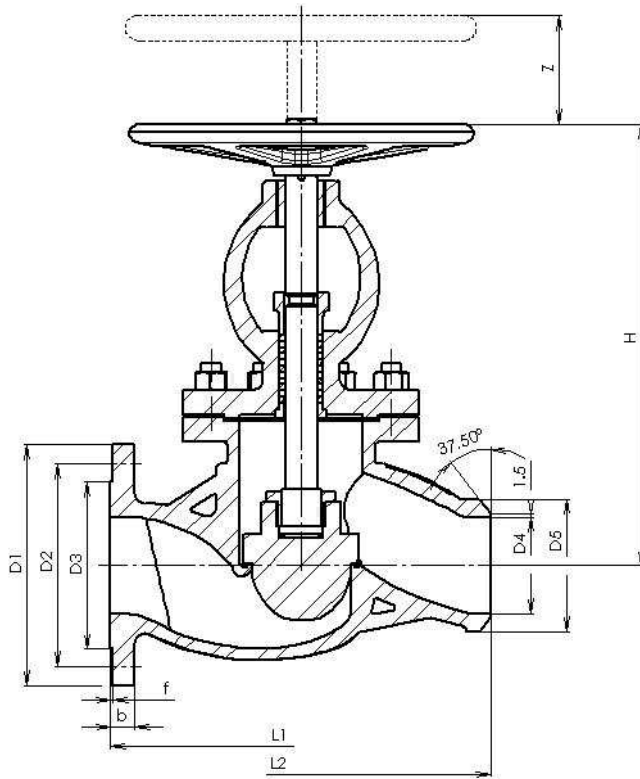
Design /	EN 13709
Flanges /	EN 1092-1
Welding end /	EN 12627
Face-to-face/	DIN 3202
Testing/	EN 12266-1
Pressure/Temperature	EN 12516-1

Operation /	
1	Handwheel/
3	Electric actuator /
4	Pneumatic actuator /

		Trim		
		1	5	8
3	Wedge facing	13 Cr	Stellite 6	13 Cr
4	Seat facing	13Cr	Stellite 6	Stellite 6

Pos	Part /	Material /			
		-29 - +400 °C	-20 - +593 °C	-47 - +340 °C	-70 - +350 °C
		DIN (ASTM)	DIN (ASTM)	DIN (ASTM)	DIN (ASTM)
1	Body /	C22.8 (A105) GS-C25 (WCB)	13CrMo44 (F11) GS-17CrMo5-5 (WC6)	TSTE 355 (LF2) GS-20Mn5 (LCB)	X5CrNi18-9 (F304) GX5CrNi 18-9 (CF8)
2	Bonnet /	C22.8(A105) GS-C25 (WCB)	13CrMo44(F11) GS-17CrMo5-5 (WC6)	TSTE 355 (LF2) GS-20Mn5 (LCB)	X5CrNi18-9(F304) GX5CrNi 18-9 (CF8)
3	Disc /	X10Cr13(410)/ weld-on	X10Cr13(410)/ weld-on	X5CrNi18-9(F304)/ weld-on	X5CrNi18-9(F304)/ weld-on
4	Seat /	X10Cr13 (410)+ weld-on	X10Cr13 (410)+ weld-on	X5CrNi18-9(F304)+ weld-on	X5CrNi18-9(F304)+ weld-on
5	Stem /	X10Cr13 (410)	X10Cr13 (410)	X5CrNi18-9 ( F304)	X5CrNi18-9(F304)
6	Sealing /	Spiral-graphite/SS	Spiral-graphite/SS	Spiral-graphite/SS	Spiral-graphite/PTFE/SS
7	Packing /	Graphite/PTFE	Graphite/PTFE	Graphite/PTFE	Graphite/PTFE
8	Bolt /	A193 B7	A193 B7	A182 L7	A193 B7
9	Nut /	A194 2H	A194 2H	A194 8	A194 2H
10	Packing flange /	C22.8(A105)	X15Cr13(F6)	X15Cr13(F6)	X5CrNi18-9(F304)
11	Hand Wheel /	Carbon steel	Carbon steel	Carbon steel	Carbon steel

Other material specification upon request /



Main and connecting dimensions /											
<b>DN</b>	<b>15</b>	<b>25</b>	<b>40</b>	<b>50</b>	<b>65</b>	<b>80</b>	<b>100</b>	<b>125</b>	<b>150</b>	<b>200</b>	
<b>D1</b>	95	115	150	165	185	200	235	270	300	375	
<b>D2</b>	65	85	110	125	145	160	190	220	250	320	
<b>D3</b>	47	68	88	102	122	138	162	188	218	285	
<b>D4</b>	According to pipe schedule /										
<b>D5</b>	21,3	33,4	48,3	60,3	73	88,9	114,3	141,3	168,3	219,1	
<b>b</b>	16	18	18	20	22	24	24	26	28	34	
<b>f</b>	2	2	2	2	2	2	2	2	2	2	
<b>n</b>	4	4	4	4	8	8	8	8	8	12	
<b>d</b>	14	14	18	18	18	18	22	26	26	30	
<b>bolt</b>	M12	M12	M16	M16	M16	M16	M20	M24	M24	M27	
<b>H</b>	240	276	300	325	370	430	480	532	589	783	
<b>L1</b>	130	160	200	230	290	310	350	400	480	600	
<b>L2</b>	130	160	200	230	290	310	350	400	480	600	
<b>z</b>	12	18	19	21	26	34	38	54	61	75	
<b>Dk</b>	120	160	180	200	200	250	300	350	400	450	
<b>m (kg)</b>	8	12	17	22	31	41,5	61	83	110	210	

CHV40 1 1 1 0 40 25

